

## Competitors A

#	Name	Grade	Club	1	2	3	Wins	Pts	Pos
1	Ryan CHAMBERLAIN	Yellow	Hayabusa	XX		10	1	10	2
2	Roman KHORTIV	Blue	Tokugawa	10	XX	10	2	20	1
3	Levi STAFFORD	Orange	Medicine Hat			XX	0	0	3

## Pool A

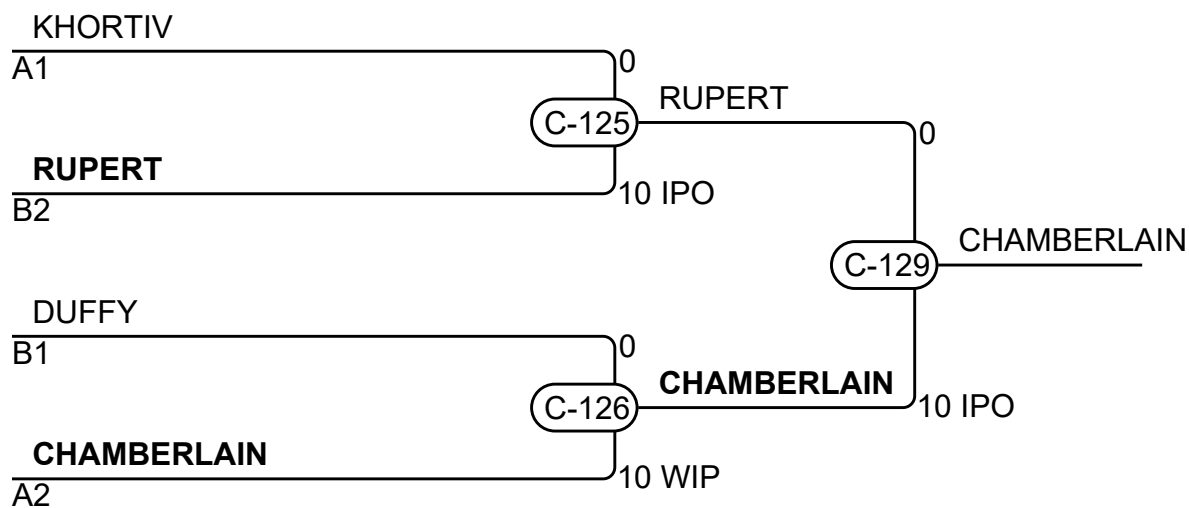
Match	White	Blue	Result	Time	Code
C-105	Ryan CHAMBERLAIN 1 2	Roman KHORTIV	0 - 10	2:12	IPO
C-112	Ryan CHAMBERLAIN 1 3	Levi STAFFORD	10 - 0	1:30	IPO
C-119	Roman KHORTIV 2 3	Levi STAFFORD	10 - 0	0:56	IPO

## Competitors B

#	Name	Grade	Club	4	5	6	Wins	Pts	Pos
4	Owen DUFFY	Blue	Medicine Hat	XX	10	10	2	20	1
5	Daniel SOKOLOWSKI	Yellow	Hayabusa		XX		0	0	3
6	Danny RUPERT	Green	Tolide		10	XX	1	10	2

## Pool B

Match	White	Blue	Result	Time	Code
C-106	Owen DUFFY 4 5	Daniel SOKOLOWSKI	10 - 0	0:58	IPO
C-113	Owen DUFFY 4 6	Danny RUPERT	10 - 0	4:00	WIP
C-120	Daniel SOKOLOWSKI 5 6	Danny RUPERT	0 - 10	1:01	IPO



## Results

Pos	Name
1	Ryan CHAMBERLAIN, Hayabusa
2	Danny RUPERT, Tolide
3	Roman KHORTIV, Tokugawa
3	Owen DUFFY, Medicine Hat