

Judo Alberta Provincials April 1, 2023 Fort Saskatchewan U18M -

Competitors: 6

Competitors A

#	Name	Grade	Club	1	2	3	Wins	Pts	Pos
1	Xavion JOHNSON	1D	Lethbridge	XX	10	10	2	20	1
2	Zubail DZHABRAILOV	Brown	Tolide		XX	5	1	5	2
3	Silas COUGHLAN	Brown	Hiro's			XX	0	0	3

Pool A

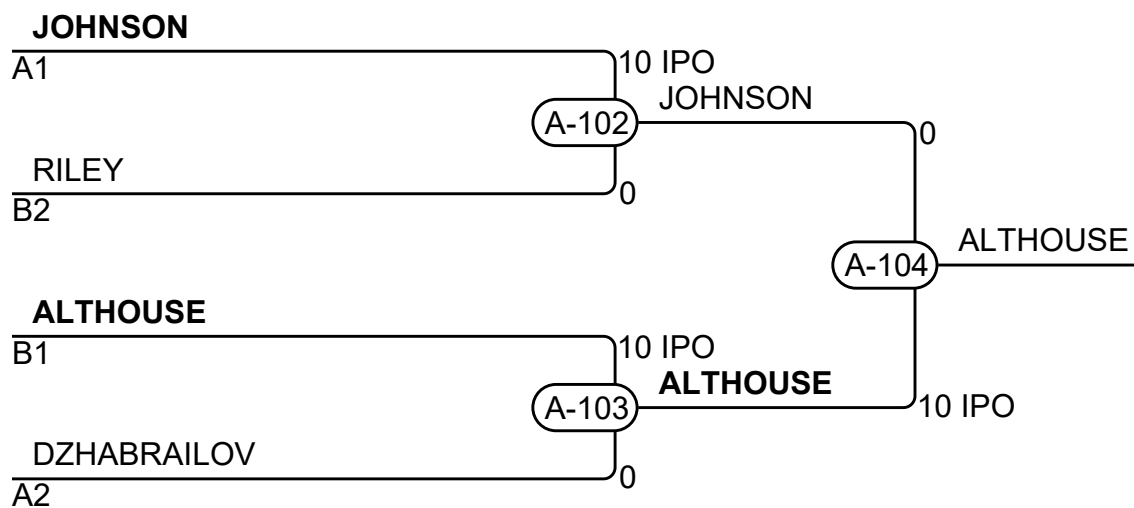
Match	White	Blue	Result	Time	Code
A-84	Xavion JOHNSON	1 2 Zubail DZHABRAILOV	10 - 0	0:57	IPO
A-90	Xavion JOHNSON	1 3 Silas COUGHLAN	10 - 0	0:41	WIP
A-96	Zubail DZHABRAILOV	2 3 Silas COUGHLAN	5 - 0	4:00	WAZ

Competitors B

#	Name	Grade	Club	4	5	6	Wins	Pts	Pos
4	Sawyer ALTHOUSE	Brown	Lethbridge	XX	10	10	2	20	1
5	Dax JEFFERY	Orange	Drayton Valley		XX		0	0	3
6	Shamus RILEY	Blue	Kodokwai		10	XX	1	10	2

Pool B

Match	White	Blue	Result	Time	Code
A-85	Sawyer ALTHOUSE	4 5 Dax JEFFERY	10 - 0	0:42	IPO
A-91	Sawyer ALTHOUSE	4 6 Shamus RILEY	10 - 0	1:32	WIP
A-97	Dax JEFFERY	5 6 Shamus RILEY	0 - 10	0:21	IPO



Results

Pos	Name
1	Sawyer ALTHOUSE, Lethbridge
2	Xavion JOHNSON, Lethbridge
3	Shamus RILEY, Kodokwai
3	Zubail DZHABRAILOV, Tolide